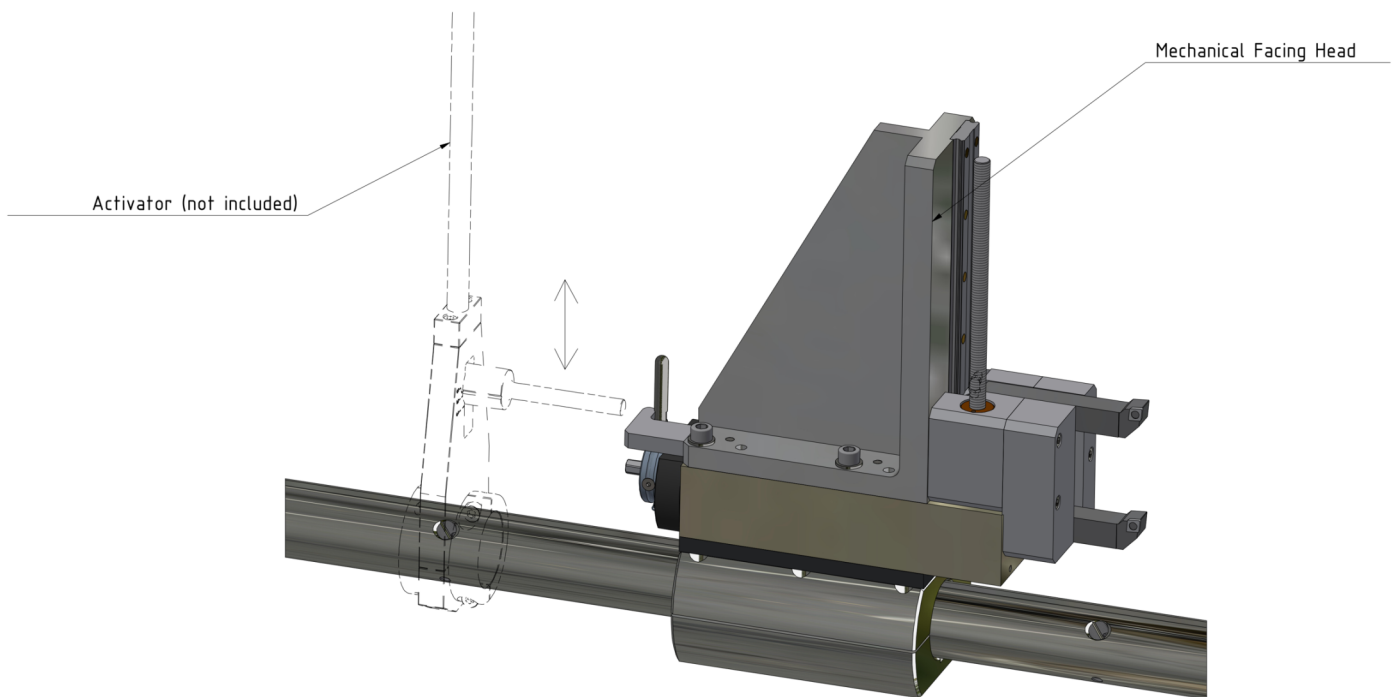
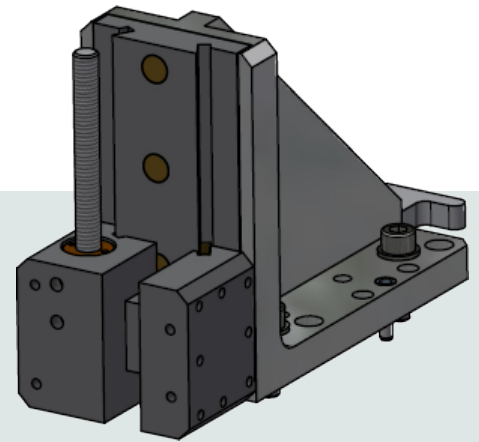


## T B M F A C I N G H E A D W I T H T R I P F E E D

Our facing heads are characterized by their compact design. The integrated Z-axis with a travel range of 100 mm to more than 200 mm makes these units a flexible and versatile assembly for countless applications.

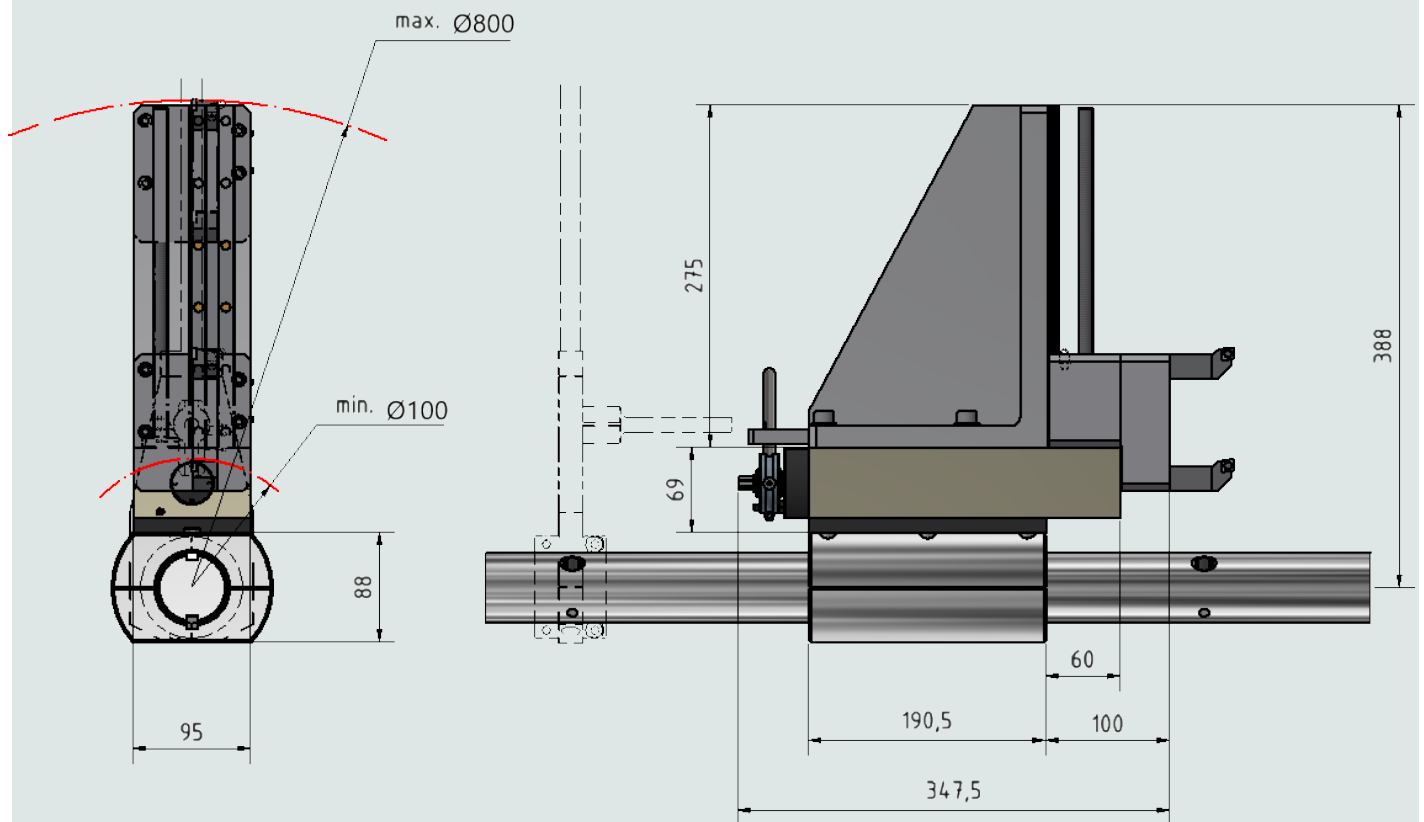


### TECHNICAL DETAILS & INFORMATION:



Guidance:  
Angle:  
Tolol:  
Stroke:  
Weight (approx.):

Dovetail  
Aluminium  
20 x 20  
100 / 200 mm  
30 kg



## TECHNICAL DETAILS & INFORMATION:

