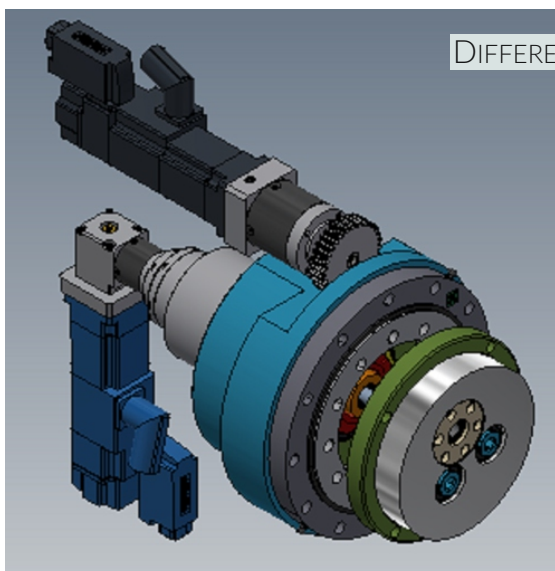


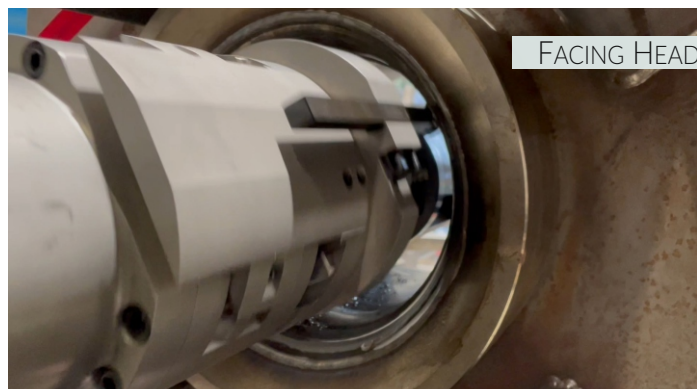
Our Line Boring Machine TBM70 CNC controlled allows the operator to machine bores with a range from 155 mm - 1000 mm in Diameter. A powerful rotational drive provides 295Nm of Torque, The boring bar with 3 guideways for precise support movement enables the tool holder to travel without the need for the bar to move. This incredibly neat design allows the machine to be setup in small confined spaces. All axes can be moved simultaneously by Siemens servo motors. this TBM70 can also be driven pneumatically or hydraulically.

KEY FEATURES:

- High quality, robust design
- Flexible and versatile
- Easy to set-up and operate
- Servo-Motor for all axis feeds, all axis can be activated at the same time.
- Taper roller bearings with spherical housings for both end and ID-mount bearings
- CE certified

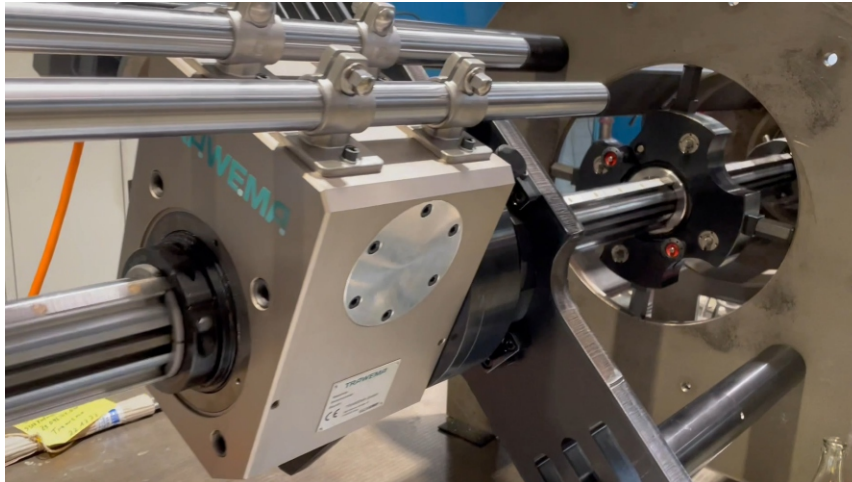


DIFFERENTIAL GEAR



FACING HEAD

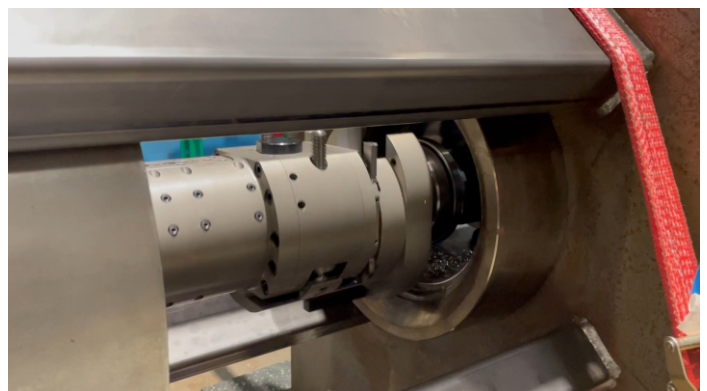
TECHNICAL DETAILS & INFORMATION



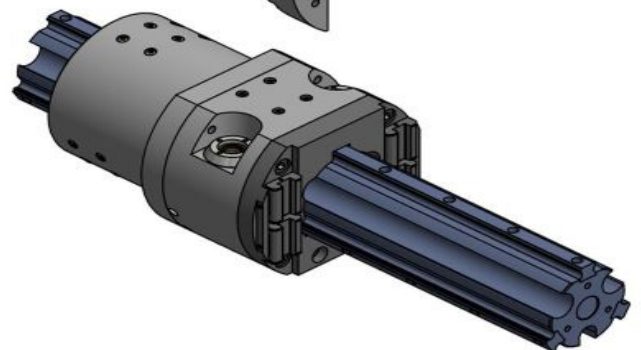
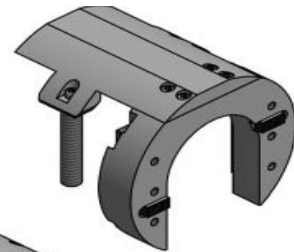
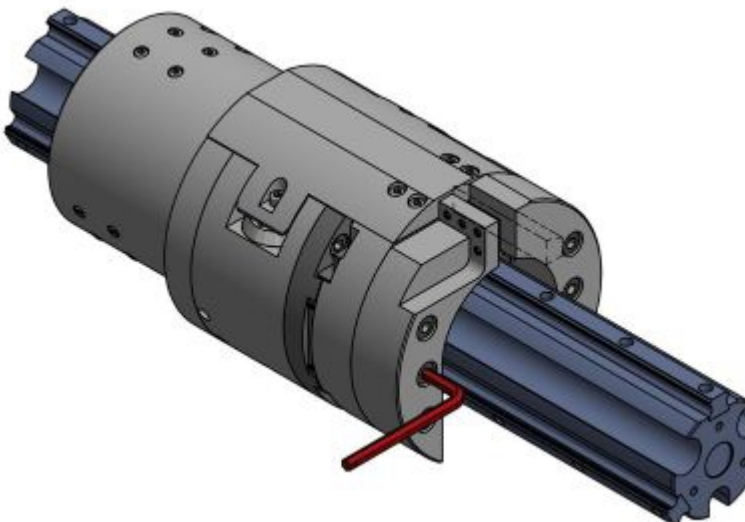
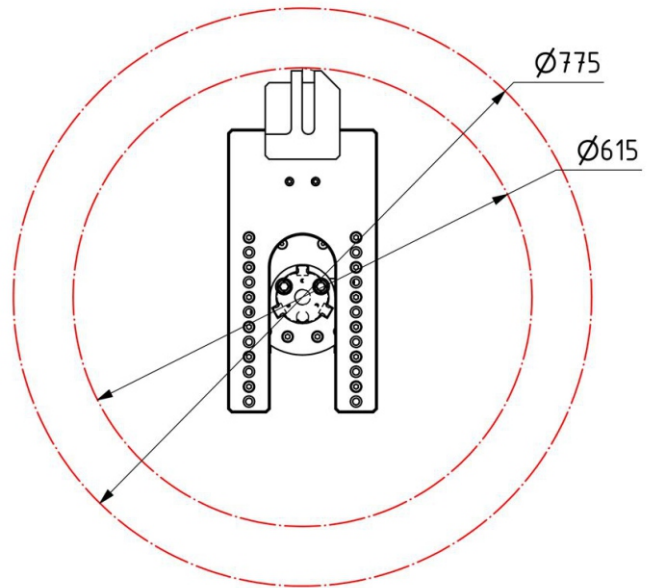
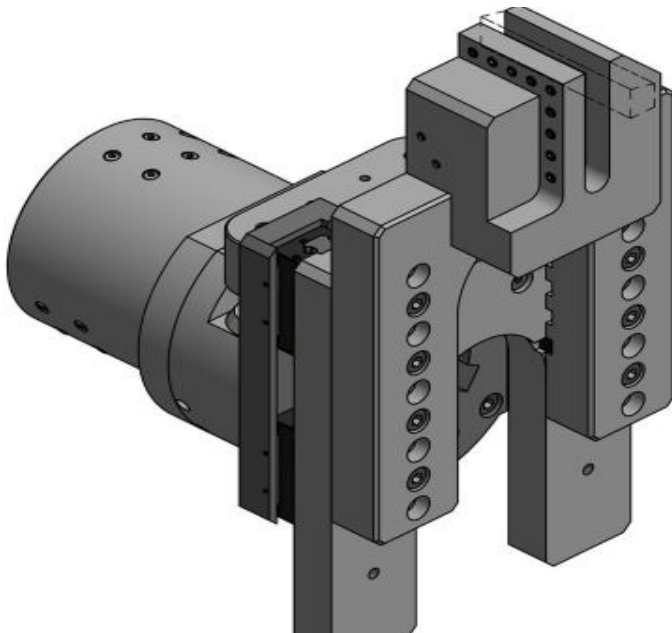
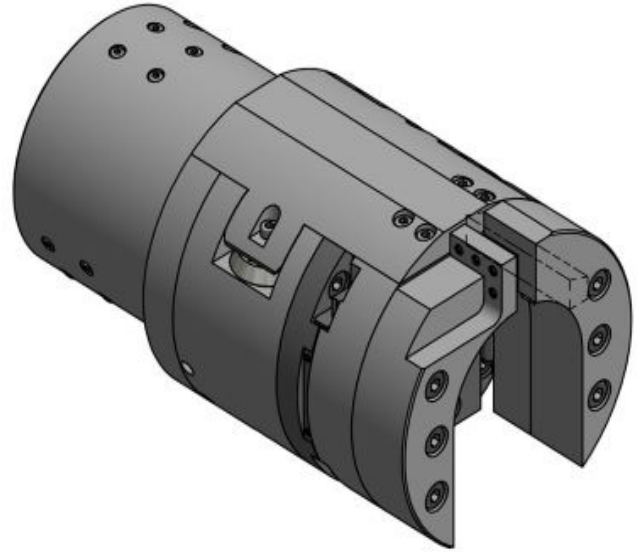
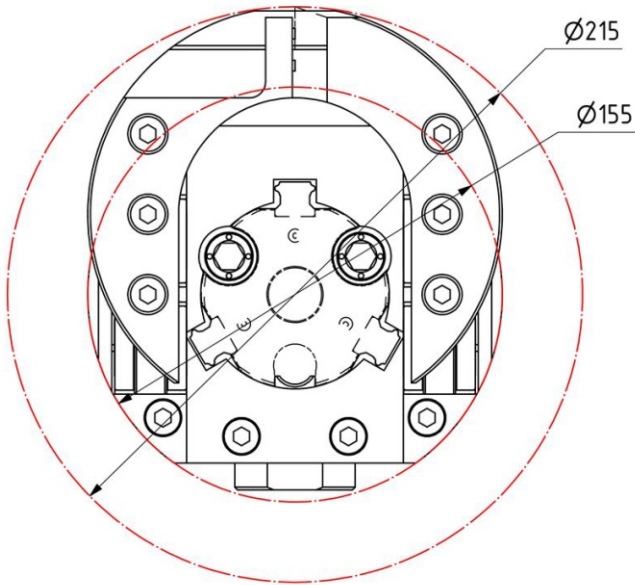
Bar-diameter	Ø 70 mm
Bar length (included in standard package)	2500 mm
<i>Available bar lengths (to be ordered separately)</i>	
Machining range	Ø 155mm - 775mm
Clamping range	150 mm - 1203 mm
Rotation drive unit	hydraulic, pneumatic, Servo-Electric
Torque (Rotational drive)	
Mo:	295Nm
Mmax:	1020Nm
X-axis feed rates	0 - 400 mm/min ⁻¹
Z-axis feed rates	0 - 750 mm/min ⁻¹
C-axis feed rates	0 - 115 mm/min ⁻¹
Feed system type (for axial bar feed)	mechanical
Feed rate adjustable	infinitely

STANDARD SCOPE OF SUPPLY:

- Boring bar Ø70 mm / 2500 mm
- Tool holder Ø155 - 775 mm
- Instruction manual
- Set of hand tools
- Shipping box
- CE-Certificat



TECHNICAL DETAILS & INFORMATION



many | Tel. +49 (0) 2421 9908990

TECHNICAL DETAILS & INFORMATION

