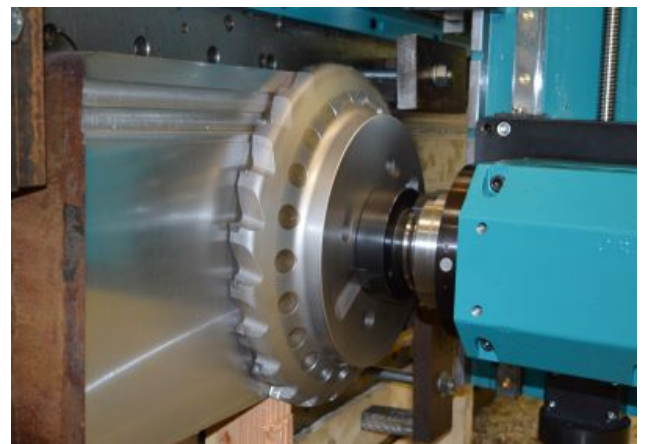




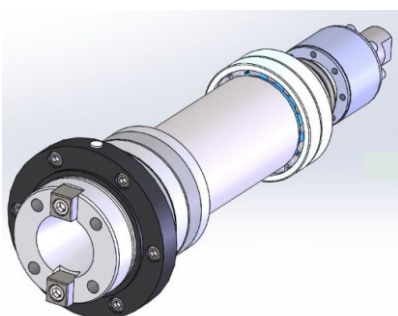
## TAPER # 50 COMPACT-MILLING SPINDLE WITH INTEGRATED AXIS

Our milling spindles are characterized by high running smoothness, precise concentricity, extremely low heat generation (even at high duty cycle) and last but not least by an extremely compact design. The integrated Z-axis with 203mm travel and an integrated digital surface caliper results into a flexible and versatile assembly for countless applications.



The milling spindle can be supplied with various mounting flanges and hollow shafts to connect motors from different manufacturers (metric or imperial connection). This even allows the connection of pneumatic or servo motors.

In addition, a version with spindle direct drive, without upper gear is available. However, due to the tool connection, a directly driven milling spindle is only available in HSK design.

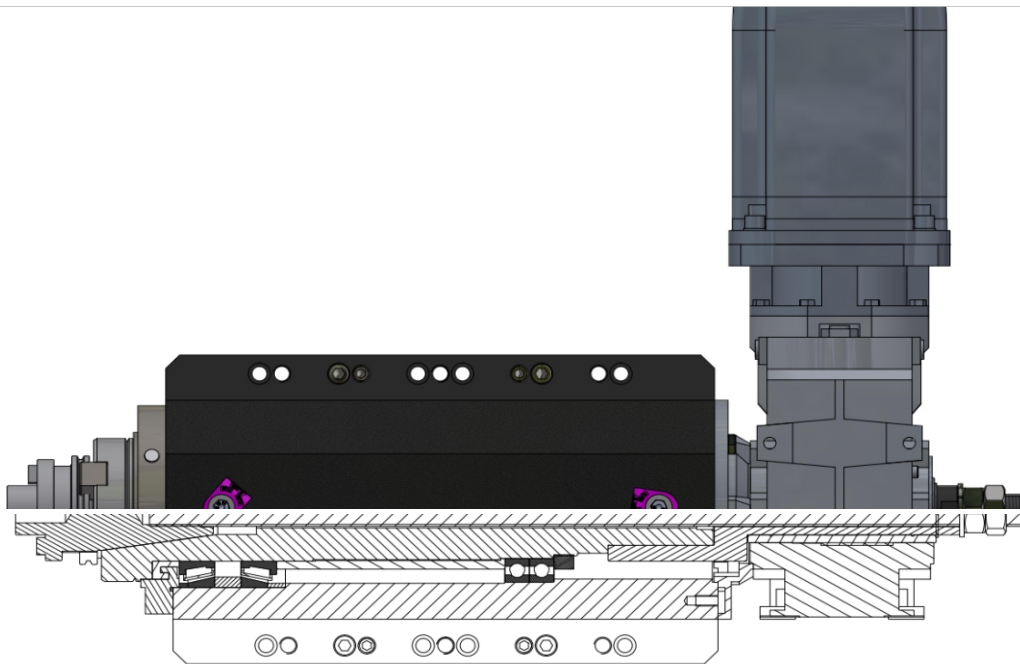


Inner workings SK50



Tool spindle (ground)  
Integrated sealing air flange

## TECHNICAL DETAILS & INFORMATION



- Compact assembly including Z-Axis slide
- Housing made of Steel (ST52-3) burnished
- Preadjusted precision spindle bearing (4x primary spindle bearing, 2x secondary radial ball bearing)
- Spindle concentricity = <math><0,01\text{ mm}</math>
- Tool holder for tools according to NFE 60024 / DIN 2080 / ISO R297-2583
- Contactless spindle seal with installed additional sealing air flange (2x connection bore for compressed air supply). NOTE: It is recommended to use the air purge function during grinding applications.
- Upper gearbox housing with spur gear dovetail (i=1:1)
- Gearbox can be mounted in 3 positions (90° gradation) on the spindle housing
- High-strength steel spur gears, dovetail hardened and ground
- Motor flange and hollow drive shaft optionally available for metric or imperial hydraulic motors (Standard: metric, with hollow drive shaft  $\varnothing 25\text{ mm}$  and keyway). Adaptation of other motors possible (pneumatic motors, servomotors, etc.)
- Digital-surface caliper included in scope of supply (can be mounted on both sides of the spindle housing)
- Trapezoidal thread feed spindle with bronze nut - spindle pitch 2 mm
- Mounting plate available in different versions. Standard: 203,2 x 203,2 mm for adapting the spindle unit to common mobile machines
- Fastening rod for milling head assembly included
- 4 lifting points provided (each provided with steel threaded inserts)
- 2 lifting lugs are included in scope of supply
- Max. speed range: 1400 min<sup>-1</sup>
- Max. speed range with direct drive (only with HSK version): 9000 min<sup>-1</sup>
- Max. torque: 160 Nm
- Max. torque with range direct drive (only with HSK version): 300 Nm
- Max. drilling capacity:  $\varnothing 46\text{ mm}$  (using material with Rm 600N/mm<sup>2</sup>)
- Axis travel: (Z-Axis): 203 mm (Optional)
- 2 pieces clamping units for fixing the Z-axis, permanently installed

### TECHNICAL DETAILS & INFORMATION

